



23001 Industrial Blvd, Rogers, MN 55374 / 1-866-527-7637
www.motoalliance.com

VIPER Winch Mount

MA11820

Honda Talon Winch Mount

Thank you for purchasing our VIPER winch mount. You now own a premium custom winch mount which allows you to use your winch with your UTV / SxS. Please note the following instructions and heed all warnings.

- Please use common sense when operating your UTV / SxS
- Read your Winch Operators Manual and all other operator manuals, including warning labels, before operating your UTV / SxS
- Be observant of moving parts causing entanglement, use extreme caution!

SEVERE INJURY OR DEATH MAY RESULT IF YOU ARE NEGLIGENT.

MA11820

Honda Talon Winch Mount



motoalliance

23001 Industrial Blvd

Rogers, MN 55374

866.527.7637

Please verify that all hardware and parts are included in your package.

Kit Contents:

Item	Description	QTY
1	MA11820-1 Main Mount Plate	1
2	MA11820-3 C Bracket	2
3	3/8"-16 x 2.5" Serrated Flange Bolt	2
4	3/8"-16 Serrated Flange Nut	10
5	3/8"-16 x 1.5 ID U-Bolt	4
6	MA11820-4 Wireless Remote Mounting Bracket	1
7	1/4"-20 x 2.50" G5 Hex Head Bolt	2
8	1/4" Flat Washer	2
9	1/4"-20 Nylock Nut	2
10	Insulation Displacement Crimp	3

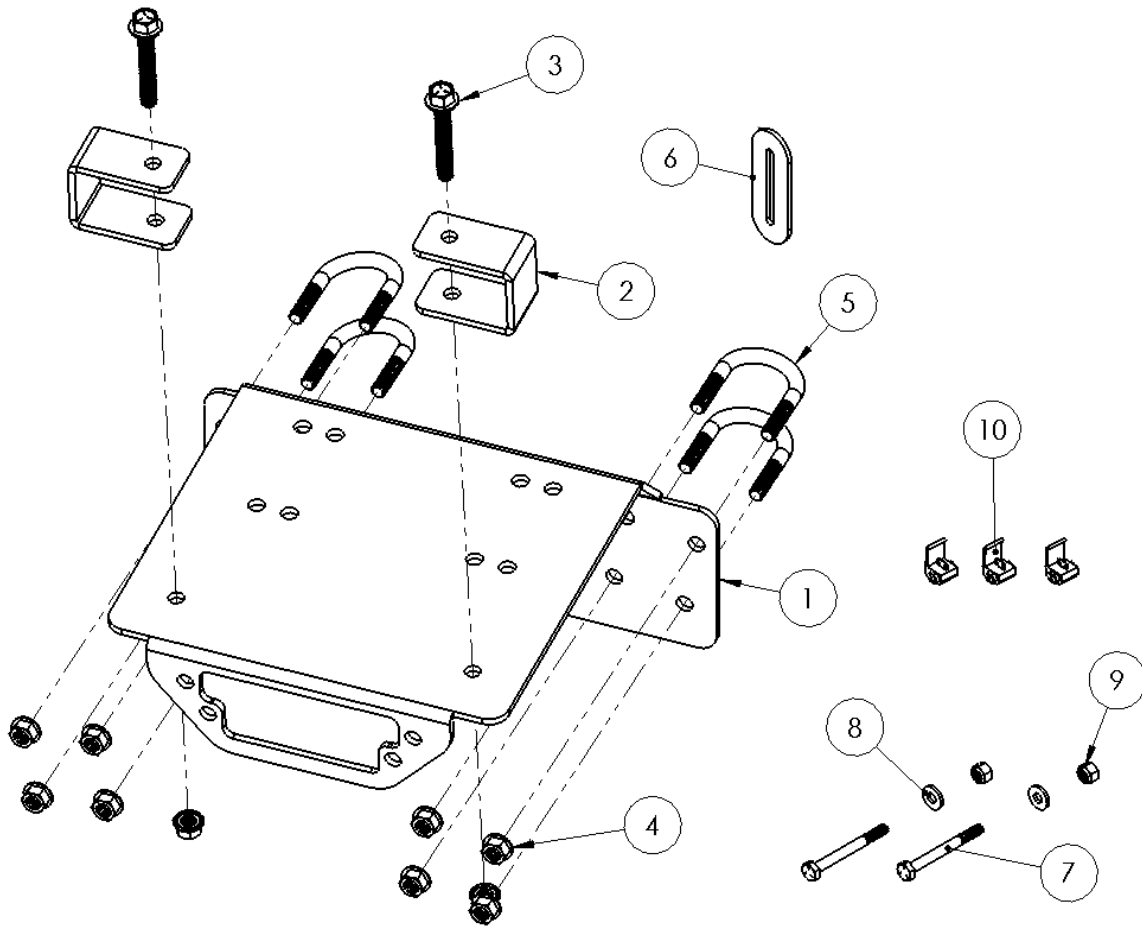


Figure 1

MA11820

Honda Talon Winch Mount



motoalliance

23001 Industrial Blvd

Rogers, MN 55374

866.527.7637

1. Remove the 10 bumper screws shown in Figure 2.

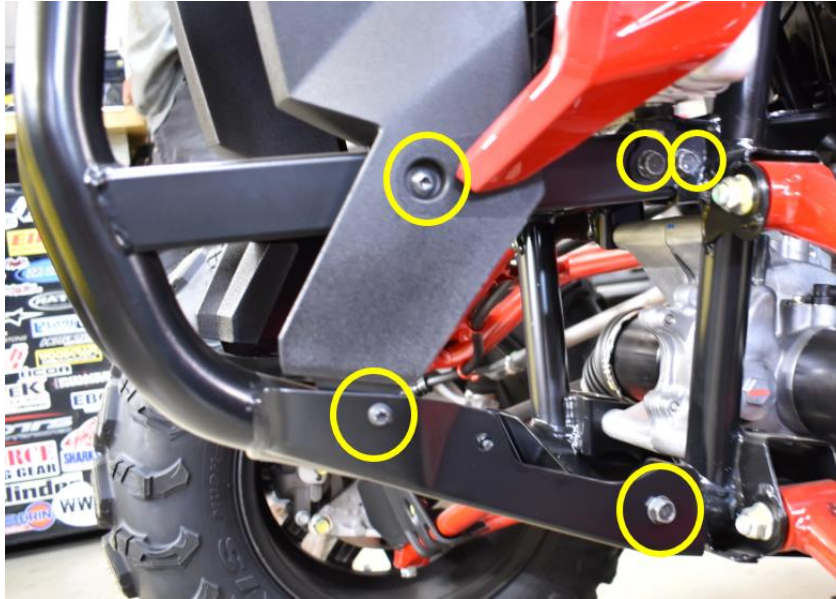


Figure 2

2. Remove the front bumper and set aside.
3. Lift the winch mount into place and secure with the included U-bolts. Do not tighten fully at this time.

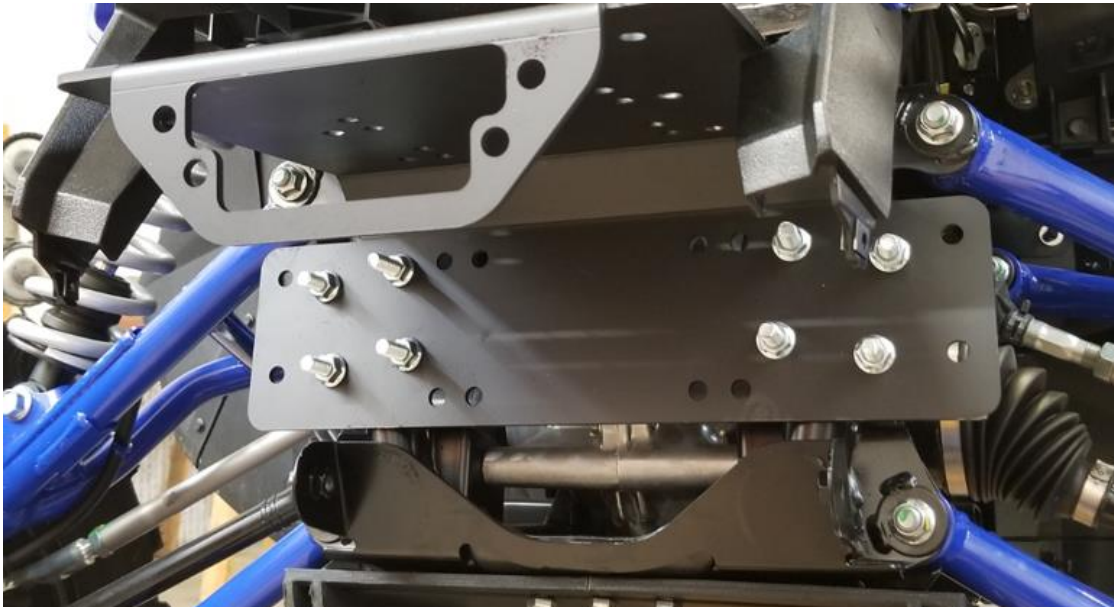


Figure 3

MA11820

Honda Talon Winch Mount



motoalliance

23001 Industrial Blvd

Rogers, MN 55374

866.527.7637

4. Install winch under the top of the mount plate with the motor on the driver's side as shown in Figure 4.



Figure 4

5. Position the top of the winch mount bracket inline with the bottom of the bumper support bracket on the vehicle frame as shown in Figure 5. Tighten the U-bolts.

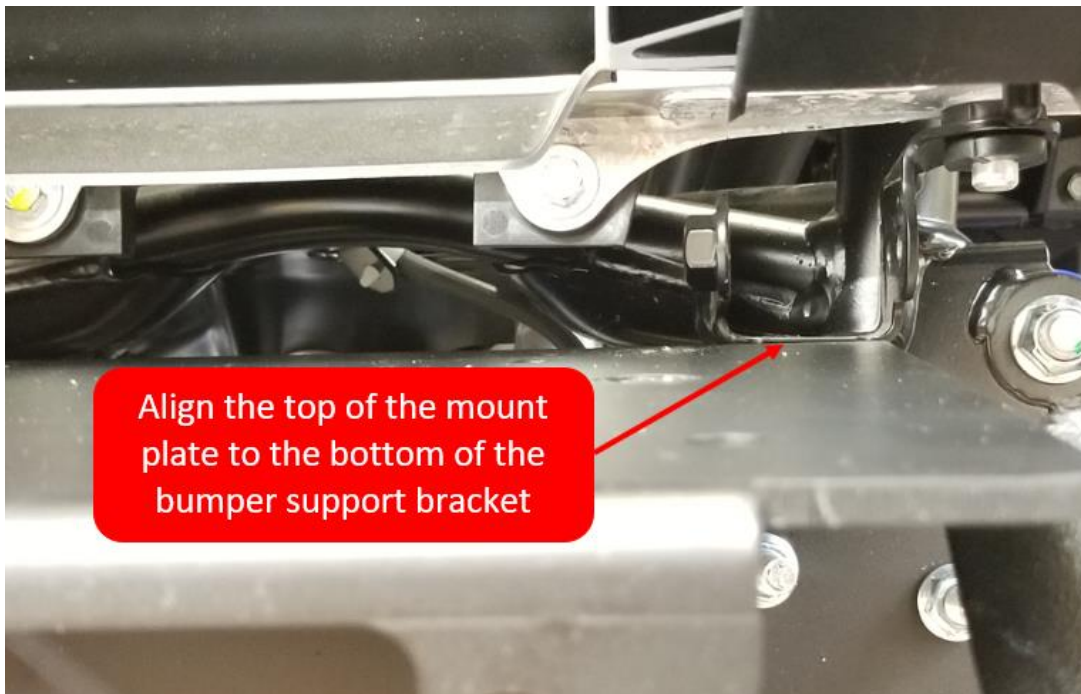


Figure 5

MA11820

Honda Talon Winch Mount



motoalliance

23001 Industrial Blvd

Rogers, MN 55374

866.527.7637

6. Reinstall the front bumper over the top of the winch plate. Verify that the plastic fascia overlaps the bumper in the original manner as seen in Figure 2.
7. Install the C-Brackets over the bumper and winch mount as shown in Figure 6. It is necessary to press upward firmly on the winch mount to position the C-Brackets. Use the 3/8"-16 x 2.5" Serrated Flange Bolts and 3/8" Serrated Flange Nuts to secure the mount in place.



Figure 6

MA11820

Honda Talon Winch Mount



motoalliance

23001 Industrial Blvd

Rogers, MN 55374

866.527.7637

8. The Honda Talon is prewired from the factory. A pair of Red and Black heavy gage wires are secured to the vehicle under the hood on the driver's side. Figure 7 shows the area where the factory wires are secured.
9. Free the factory wires from the metal bracket in Figure 7 and mount the contactor as shown in Figure 7.
10. Attach the Factory Red/Black wires to the Red/Black posts on the contactor.

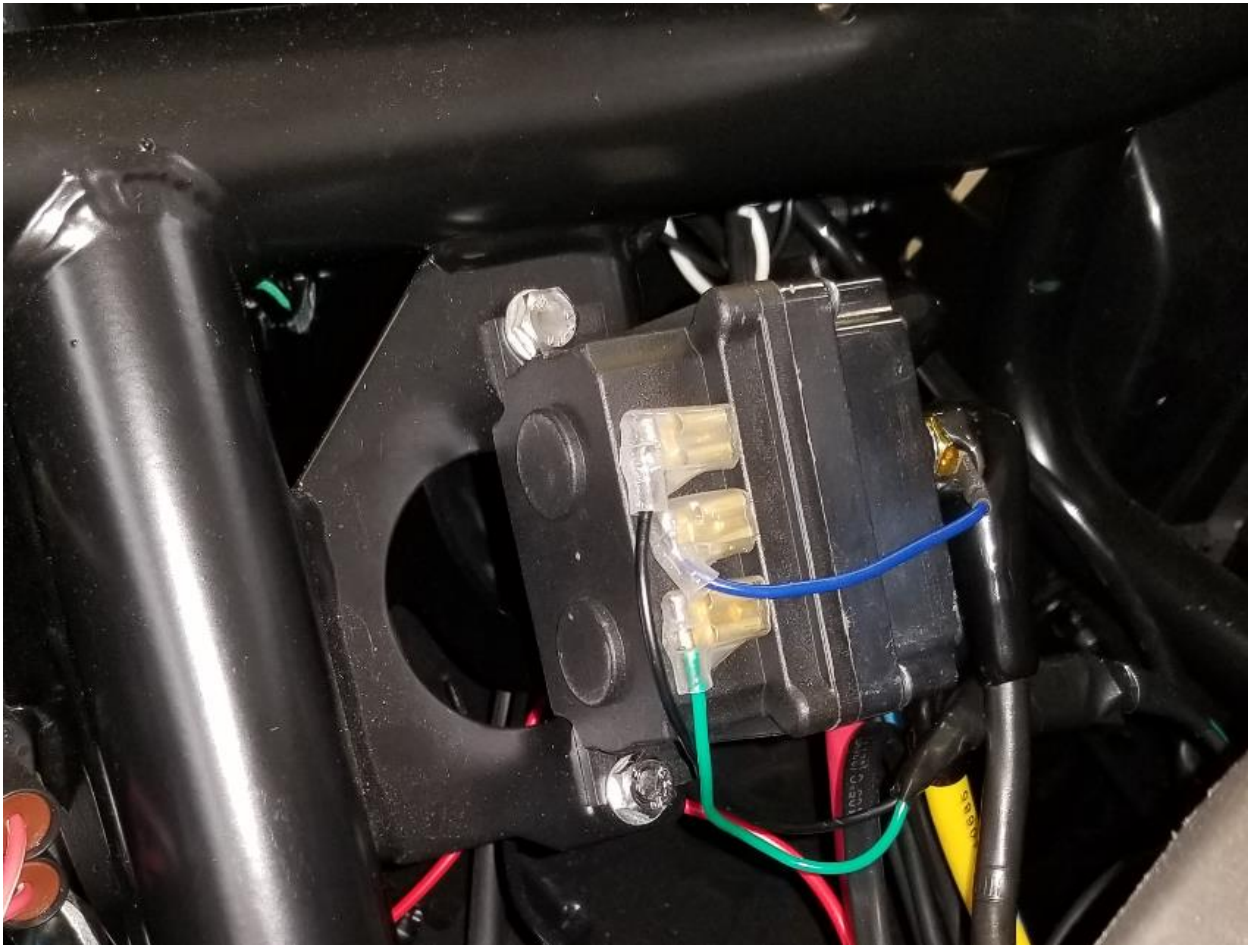


Figure 7

11. Attach the Blue/Yellow winch cables included in the winch kit to the Blue/Yellow terminals on the Contactor. Route the cables together to the winch motor being sure to avoid sharp, moving, or hot components. Attach ends to corresponding colored winch motor terminals and secure loose cable with zip ties.

MA11820

Honda Talon Winch Mount



motoalliance

23001 Industrial Blvd

Rogers, MN 55374

866.527.7637

12. Mount the optional wireless remote using the ¼" hardware and Wireless Remote Mounting Bracket as shown in Figure 8. Attach the Wireless units plug to the Wireless box and route the wires toward the winch contactor.



Figure 8

13. Install the optional Dash Switch, Rocker Switch and Cabled Remote in a desirable location. Connect the Green/Black switch wires to the Green/Black wires on the contactor.
14. Locate the accessory wire mounted to the frame of the Talon as shown in Figure 9.

MA11820

Honda Talon Winch Mount



motoalliance

23001 Industrial Blvd

Rogers, MN 55374

866.527.7637



Figure 9

15. Peel back some of the outer black tape to expose the two wires (White w/ Black wire and Green).
16. Use the Insulation Displacement Crimp to connect the red wire from the switch to the White w/ Black wire (12v+ Accessory Power).
17. If additional switches (Including wireless module) are used, attach their Red power wire to the same White w/ Black wire using the additional Insulation Displacement Crimp.
18. If the optional wireless module is used, connect the black wire with ring terminal from the wireless module harness to the Black post on the contactor.
19. Once all wiring is complete and zip tied in an orderly way, locate the Red factory winch cable located inside the battery box above the rear driver side wheel. **IMPORTANT NOTE: Disconnect the Negative battery cable before working on the electrical system.** The Red power cable is secured to the upper back wall of the box. Remove the tape and connect the wire to the Battery Positive terminal post.
20. Reconnect the negative battery cable and test winch functionality.
21. Reinstall any removed components during installation.