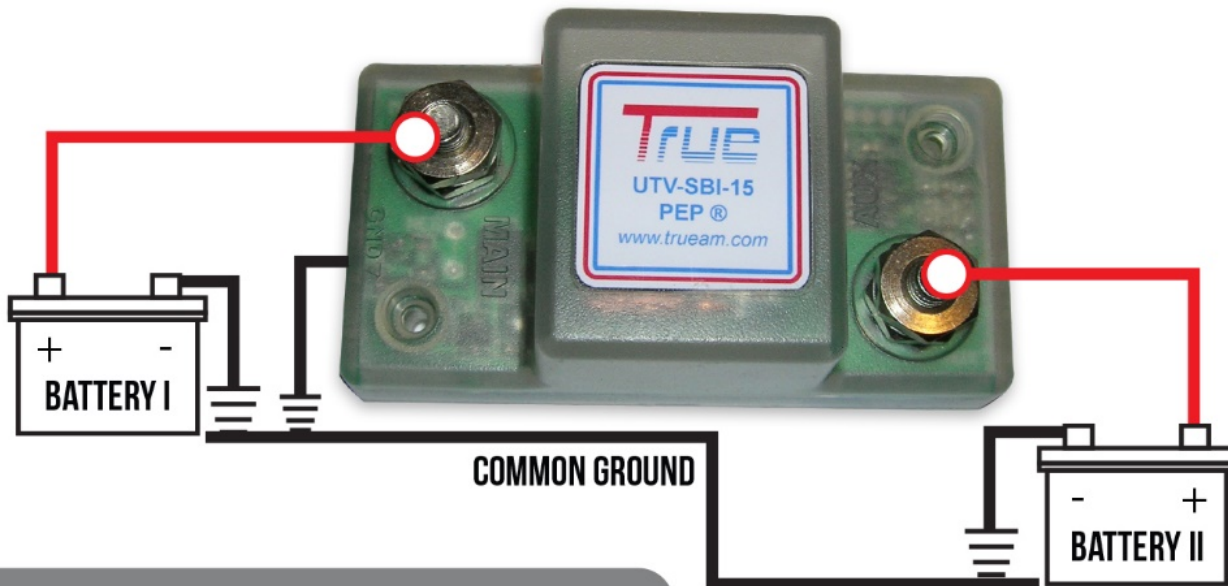


TRUE

UTV-SBI-15CM



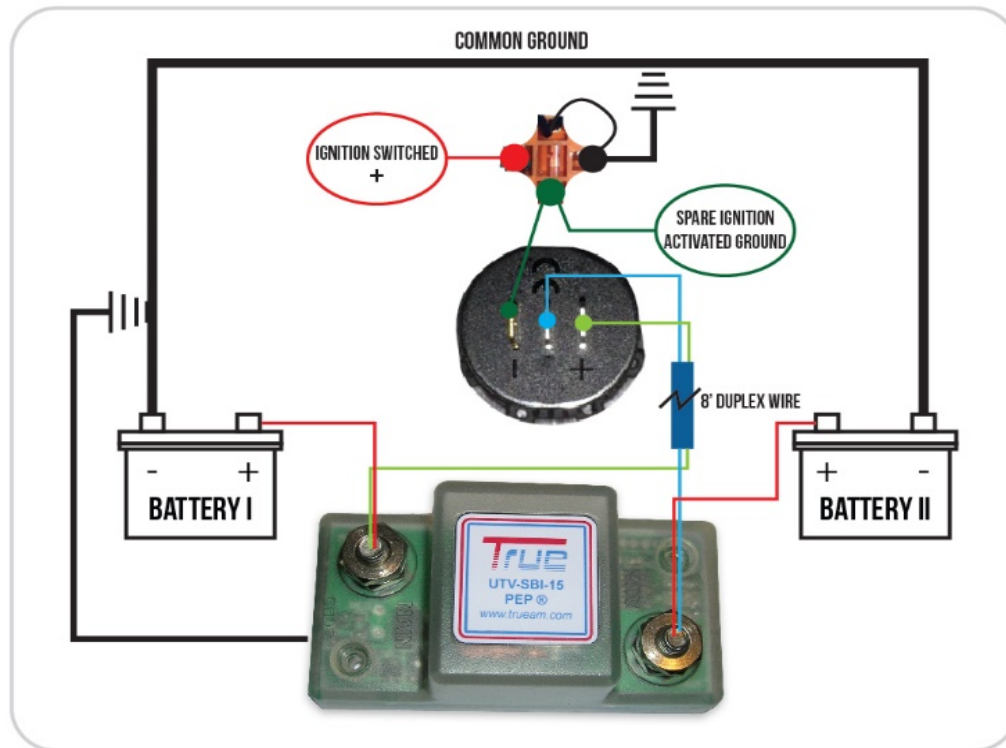
INSTALLATION INSTRUCTIONS

FYI: The SBI is designed ambidextrous so it cannot be installed backwards. Either stud can be connected to either battery's positive terminal.

1. Disconnect the neg. terminal of your battery(ies)
2. Red cables: Slip red insulators over small(6mm) cable lugs
3. Attach lugs to the SBI studs finger tight
4. Route and connect SBI between positive terminal of Batteries
5. Mount with screws, 3M Dual Lock™, or leave suspended
6. Route small black ground from SBI to common ground
7. Install black cable from 2nd battery to common ground
8. Tighten all connections (PLASTIC do not over tighten)
9. Reconnect the neg. terminals
10. Start engine verify function with SBI illumination*

**Note: It is normal for LED to remain lit when engine is first turned off. To test unit turn headlights on briefly and LED should go out.*

DUAL DISPLAY VOLT METER DIAGRAM



DIRECTION FOR WIRING ON/OFF RELAY VOLT METER

Note: These directions apply to the round and the rectangular, dual display, single voltmeters.

Silver blades (2) terminal are positive (+)

Gold blade (1) terminal is negative (-)

Orange Socket

RED wire - connect to switched ignition (+) power source. (Something that turns on and off with the vehicle key).

GREEN wire - One connects to the gold (-) blade on back of meter. The other is a spare.

BLACK wire - common ground (Connect LAST).

Dark Blue 8' Duplex Wire

LIGHT BLUE } One end to either side of isolator and the other end,
LIGHT GREEN } one to each silver blade on meter. (Top blade is top meter).