

DENALI Professional Series Snow Plow Blade Installation



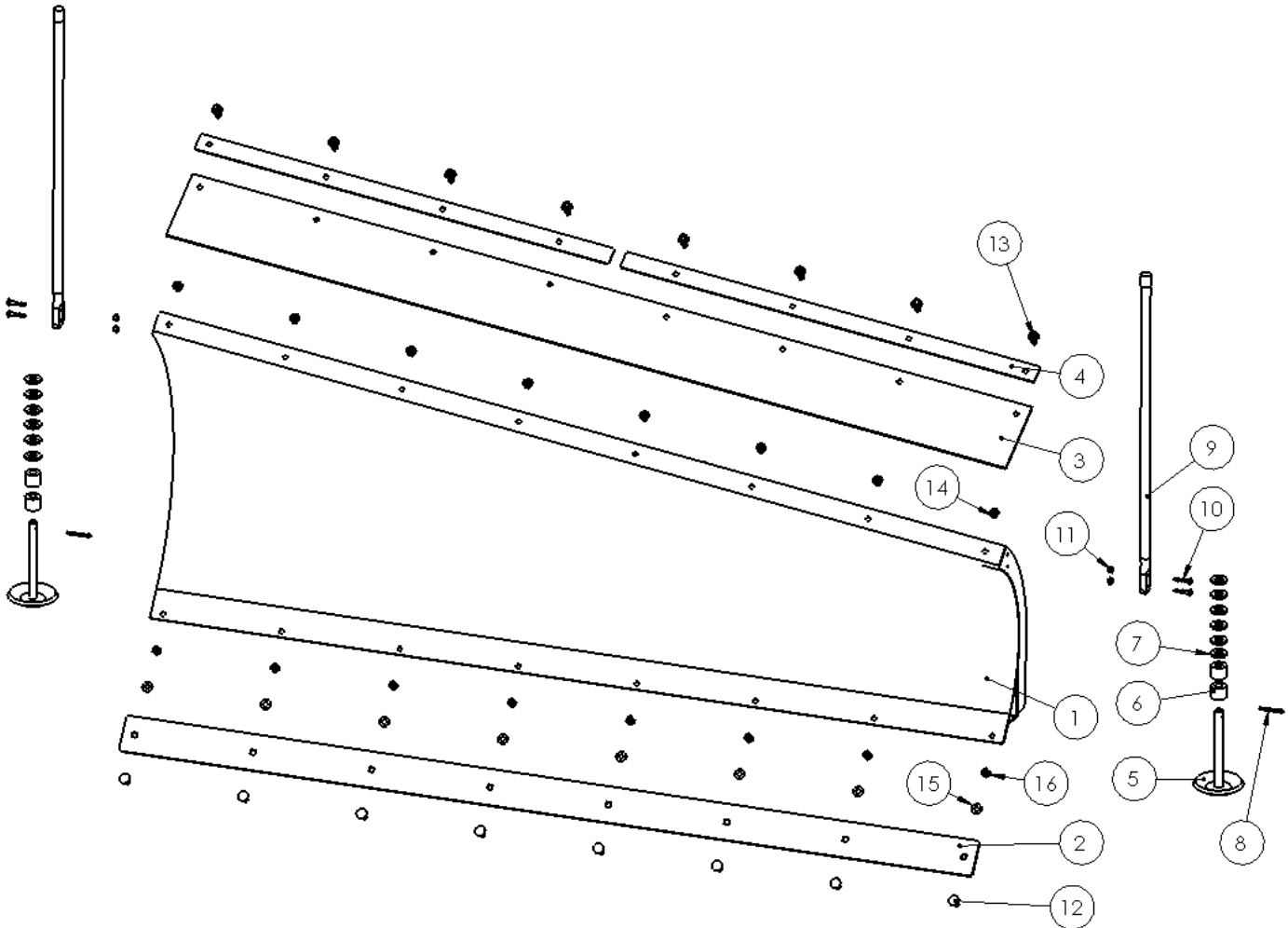
23001 Industrial Blvd, Rogers, MN 55374
www.motoalliance.com. 1-866-527-7637

Thank you for purchasing MotoAlliance's top-of-the-line Professional Series UTV Snow Plow System! We've paid attention to all the fine details and believe you now have a plow that will last for years to come. Please feel free to contact us with any questions.

Warning And User Caution

- Never allow passengers to ride on the blade while plowing
- Stay clear of bystanders while plowing
- Do not exceed 10 MPH with blade installed
- Always wear safety gear (helmet, glasses, etc) when plowing
- Always put your vehicle in Park before changing the angle of the plow blade
- Use extreme caution when plowing and riding on sloped surfaces
- Avoid all fixed objects and always wear a seatbelt
- Be cautious of the blade when lowering it from an upright position
- Always store your blade resting on the ground

DENALI Professional Series Snow Plow Blade Installation



ITEM NO.	Part Description	Quantity
1	72" Pro Series Plow Blade	1
2	72" Pro Series Wear Bar	1
3	72" Rubber Flap	1
4	72" Hold Down Bar	2
5	UTV Skid Foot	2
6	Skid Foot Rubber Bushings	4
7	5/8" Flat Washers	12
8	3/16" x 1.5" Cotter Pin (Split pin)	2
9	28" Flag Marker	2
10	1/4"-20 x 1.5" Hex Bolt	4
11	1/4"-20 Nylock Nut	4
12	3/8"-16 x 1" Carriage Bolt	8
13	3/8"-16 x 1" Serrated Flange Bolt	8
14	3/8"-16 Serrated Flange Nuts	8
15	3/8" Flat Washer	8
16	3/8"-16 Nylock Nut	8

DENALI Professional Series Snow Plow Blade Installation

Plow Blade Assembly

- 1) Install the 72" Wear Bar to the 72" Plow Blade as shown in Figure 1.

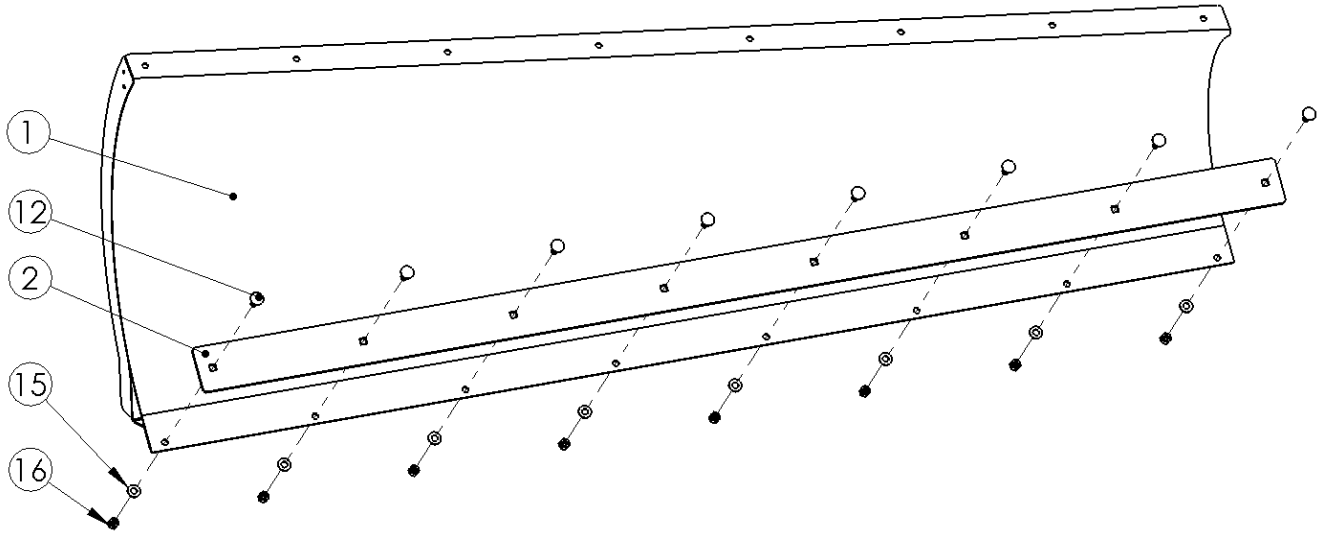


Figure 1

- 2) Install the 72" Rubber Flap and 2pc Rubber Flap Hold Down Bars as shown in Figure 2.

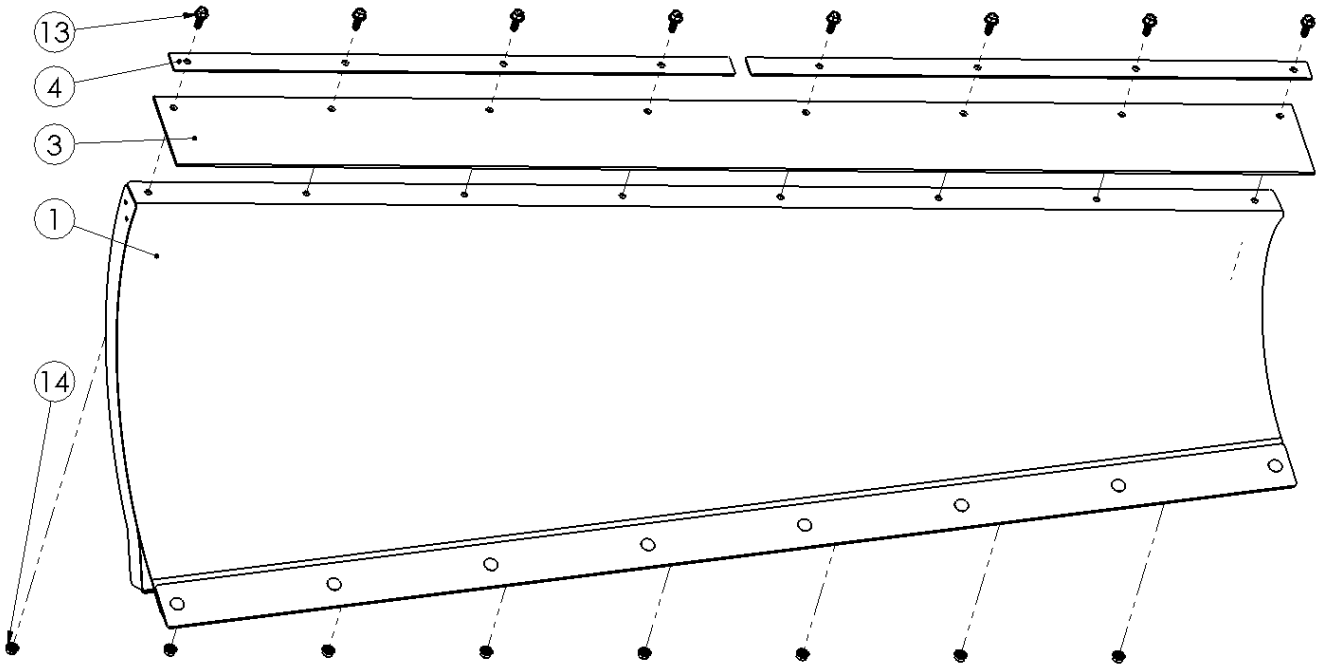


Figure 2

DENALI Professional Series Snow Plow Blade Installation

- 3) Install the 28" Flag markers to the sides of the plow blade as shown in Figure 3

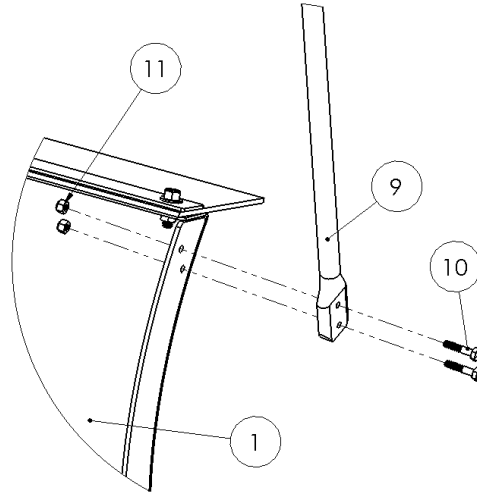


Figure 3

- 4) Install the Skid Feet with Rubber Bushings and 5/8" Flat Washers as shown in Figure 4. The height of the Skid Feet can be adjusted based on the location of the Rubber Bushings and 5/8" Flat Washers.

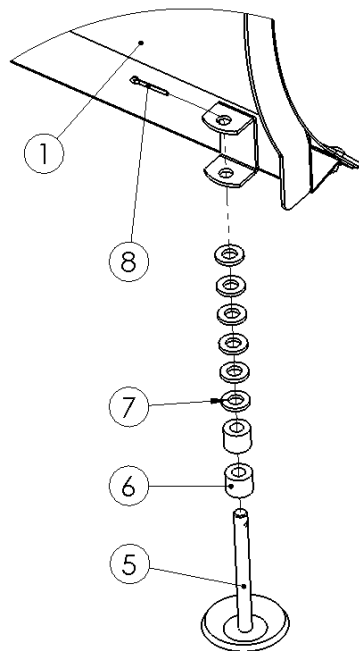


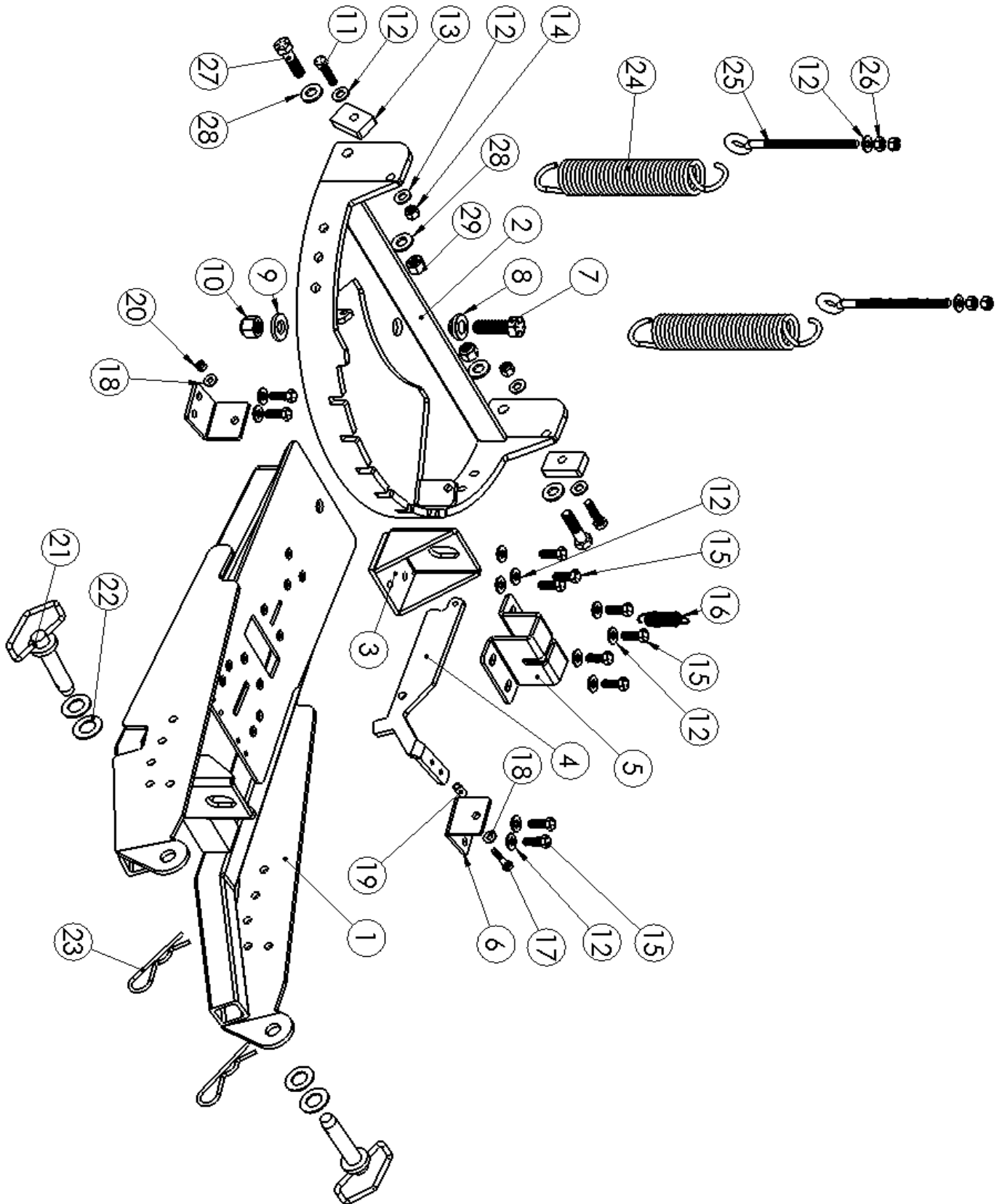
Figure 4

Your Pro Series Plow Blade is now assembled. Proceed with installation per the DENALI Pushtube assembly instructions.

DENALI Professional Series Snow Plow Blade Installation
DENALI UTV Pushtube Component List

ITEM NO.	Part Description	Quantity
1	Lift Arm Weldment	1
2	Swivel Plate Weldment	1
3	Winch Attachment Bracket	1
4	Pivot Lock Lever	1
5	Pivot Lever Support Bracket	1
6	Pivot Lever Riser	2
7	5/8''-11 x 2'' G8 Hex Bolt	1
8	Pivot Ring	1
9	5/8'' Flat Washer	1
10	5/8''-11 G8 Nylock Nut	1
11	3/8''-16 x 1.5'' G5 Hex Bolt	2
12	3/8'' Flat Washer	17
13	Stop Block	2
14	3/8''-16 G5 Nylock Nut	1
15	3/8''-16 x 1'' G5 Hex Head Bolt	11
16	Lock Lever Spring	1
17	1/4''-20 x 1.5'' G5 Hex Head Bolt	1
18	1/4'' Flat Washer	2
19	Aluminum Spacer	1
20	1/4''-20 Nylock Nut	1
21	Quick Release Pin	2
22	Quick Release Pin Washer	4
23	Quick Release Pin R Clip	2
24	Blade Return Spring 10'' x 1 1/2''	2
25	3/8'' Eye Bolt	2
26	3/8''-16 G5 Hex Nut	4
27	1/2''-13 x 2'' G8 Hex Bolt	2
28	1/2'' Flat Washer	4
29	1/2''-13 G8 Nylock Nut	2

DENALI Professional Series Snow Plow Blade Installation



DENALI Professional Series Snow Plow Blade Installation

Lift Arm Assembly

- 1) Attach the Swivel Plate to the Lift Arm using the 5/8" Hex Bolt, 5/8" Flat Washer, 5/8" Nylock Nut and Pivot Ring as shown Figure 5.

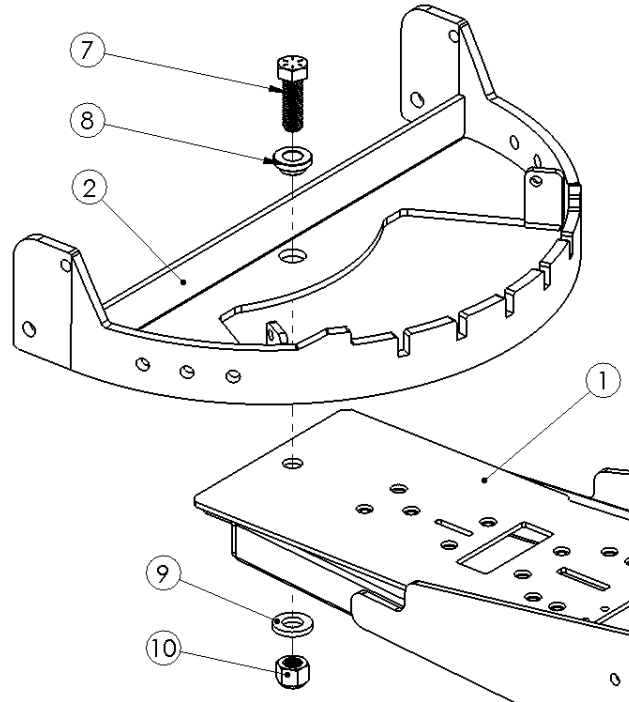


Figure 5

- 2) Attach the Pivot Lever Support Bracket to the Lift Arm using four 3/8" x 1.00" Hex Bolts and 3/8" Washers as shown in Figure 6. **Note** the Spring Attachment Slot on the Pivot Lever Support Bracket should face forward.

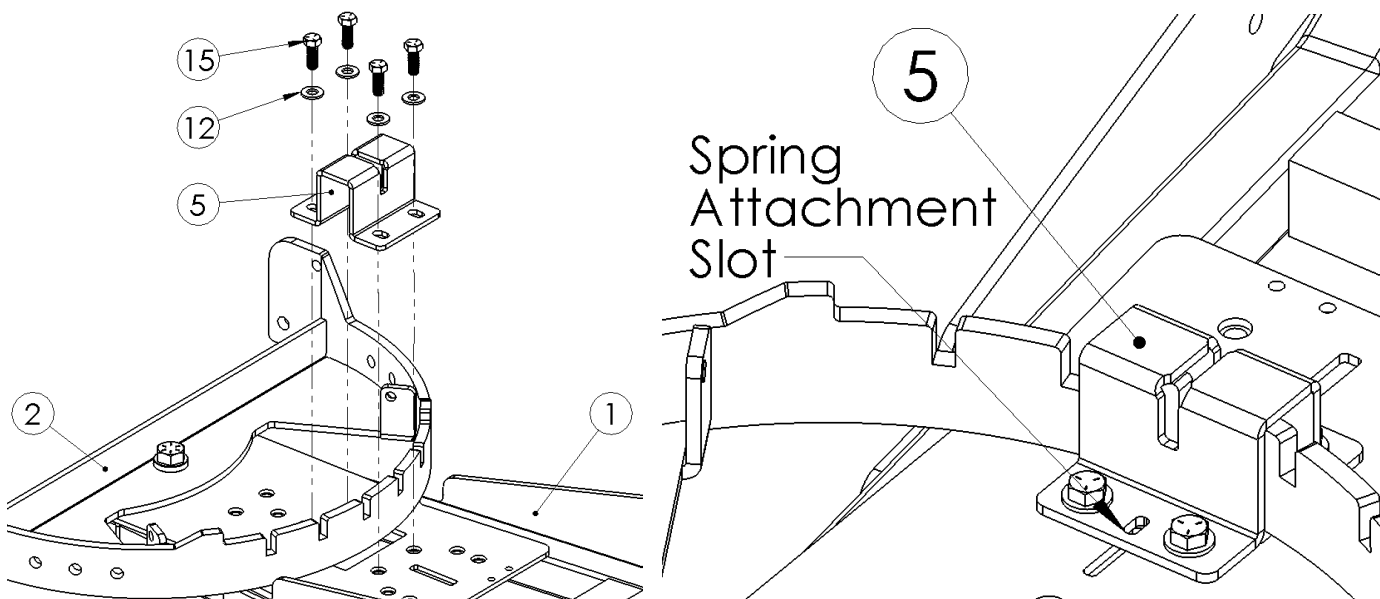


Figure 6

DENALI Professional Series Snow Plow Blade Installation

- 3) Attach the Pivot Lever Risers to the Lift Arm using four $\frac{3}{8}$ " x 1.00" Hex Bolts and $\frac{3}{8}$ " Flat Washers as shown in Figure 7.

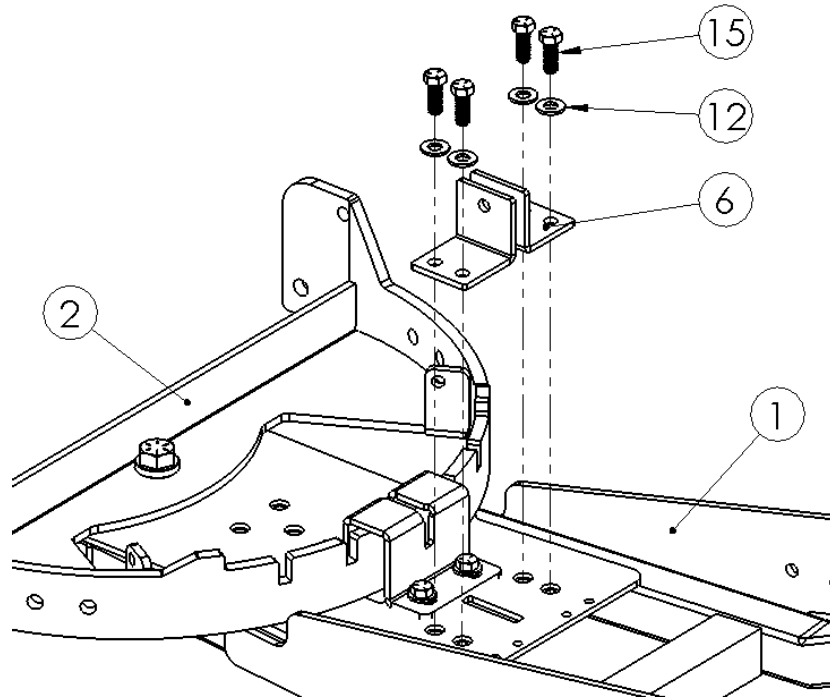


Figure 7

- 4) Attach the Pivot Lock Lever to the Pivot Lever Risers using the $\frac{1}{4}$ " x 1.5" Hex bolt, $\frac{1}{4}$ " Washers, $\frac{1}{4}$ " Aluminum Spacer and $\frac{1}{4}$ " Nylock Nut as shown in Figure 8.

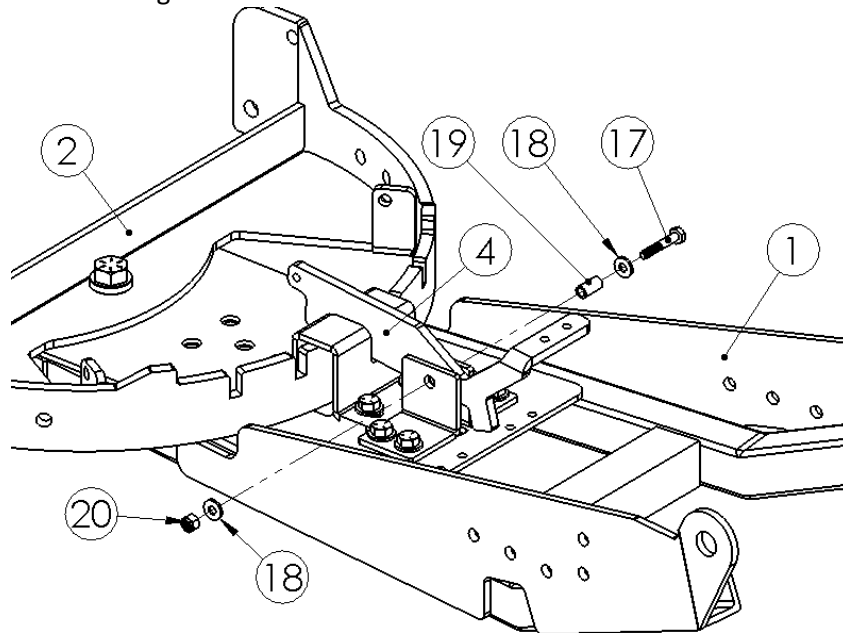


Figure 8

DENALI Professional Series Snow Plow Blade Installation

- 5) Install the Lock Lever Spring between the Pivot Lock Lever and Pivot Lever Support Bracket using a needle nose pliers as shown Figure 9.

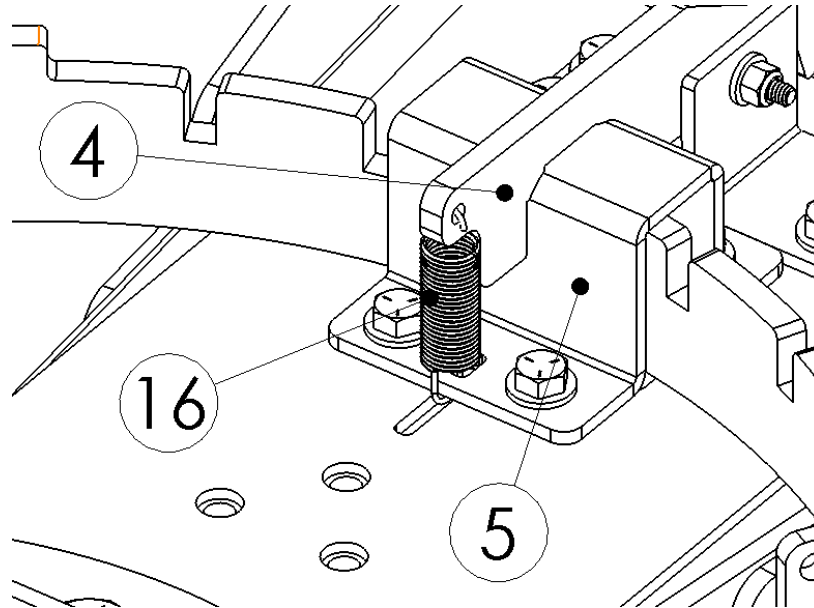


Figure 9

- 6) Install the Stop Blocks using the 3/8" x 1.5" Hex Bolts, 3/8" Flat Washers, and 3/8" Nylock Nuts. **Note** that the hole in the Stop Block is a different distance from each of the four edges of the Stop Block. By adjusting which of the four faces is pointed forward the plow blades resting position can be changed. Begin with the shortest distance facing forward and adjust if necessary. See Figure 10.

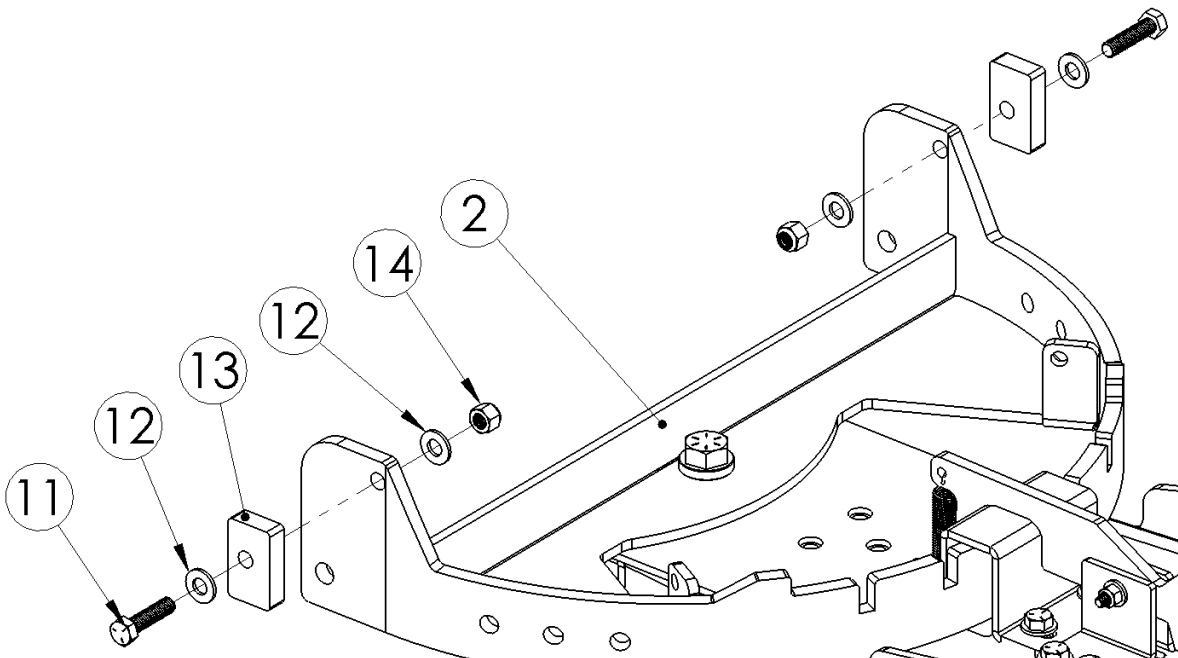


Figure 10

DENALI Professional Series Snow Plow Blade Installation

- 7) Install the Winch Attachment Bracket to the Lift Arm using the 3/8" x 1.00" Hex Bolts and 3/8" Flat Washers as shown Figure 11.

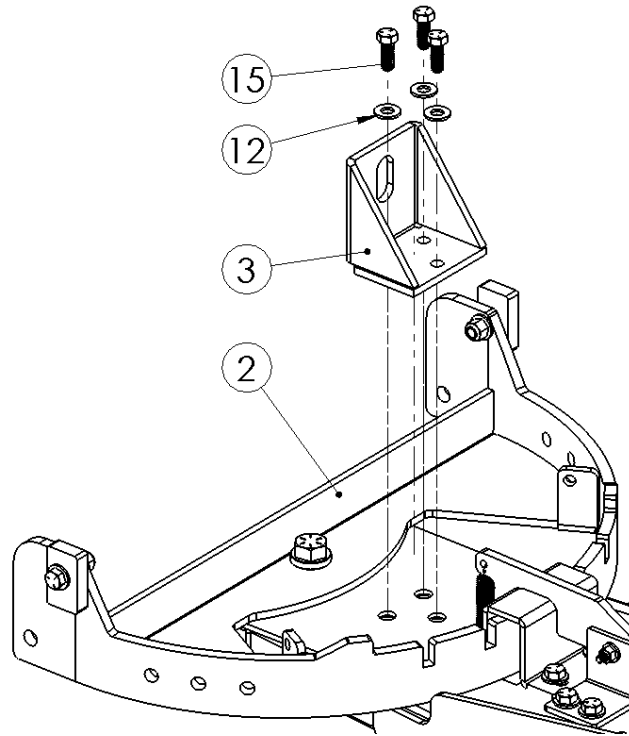


Figure 11

- 8) Attach the completed Pushtube assembly to the Snow Plow using the 1/2" x 2.00" Hex Bolts, 1/2" Flat Washers, and 1/2" Nylock Nuts as shown in Figure 12

Plow Blade

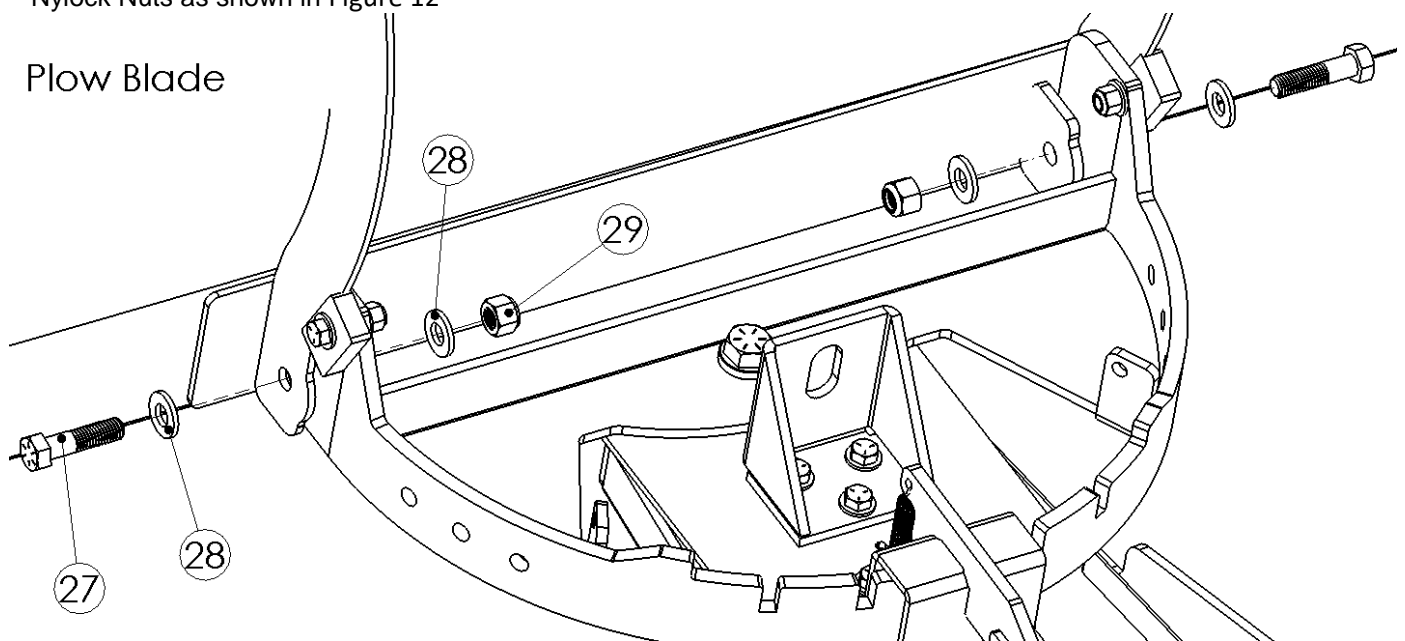


Figure 12

DENALI Professional Series Snow Plow Blade Installation

9) Attach the 10" Springs to the Swivel Plate with the hook pointed toward the blade as shown in Figure 13.

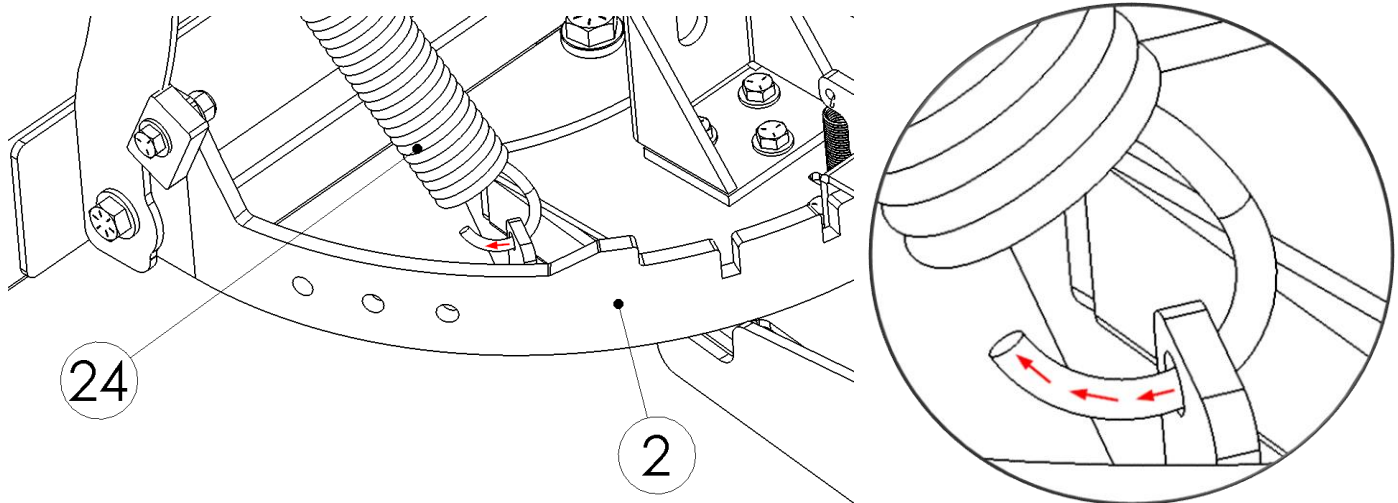


Figure 13

10) Attach the top end of the 10" Spring to the 3/8" Eye Bolt and then insert the threads of the 3/8" Eye Bolt through the mount plate welded to the Plow Blade. Secure the Eye Bolts using a 3/8" Flat Washer and two 3/8" Hex Nuts on each Eye Bolt. Alternate tightening the first 3/8" Hex Nut until the 10" Springs are taught. Tighten the second 3/8" Hex Nut to the First to keep them from spinning backward. See Figure 14.

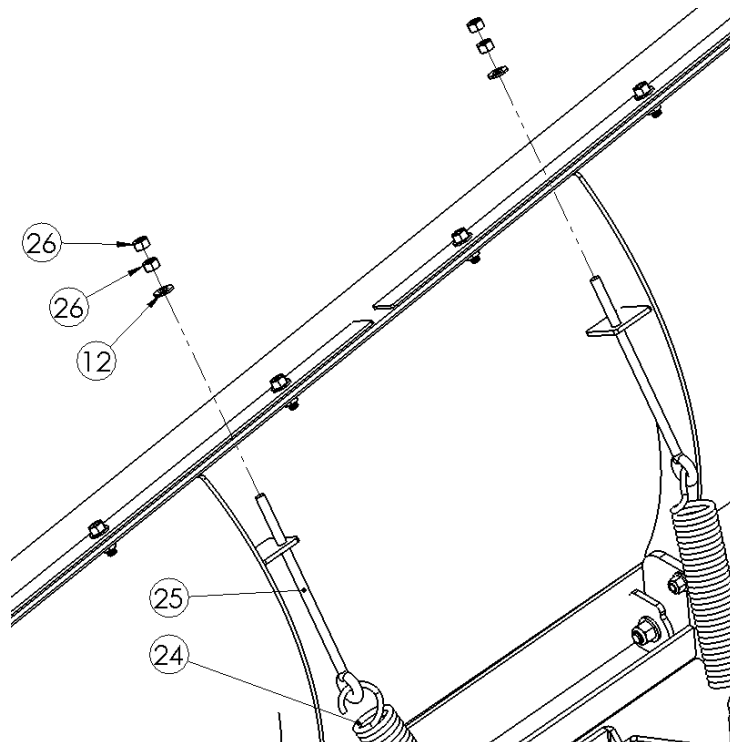


Figure 14

DENALI Professional Series Snow Plow Blade Installation

- 11) Attach the Plow System to the Plow Mount (sold and installed separately) using the 5/8" Quick Release Pins, 5/8" Flat Washers and R-Clips as shown in Figure 15.

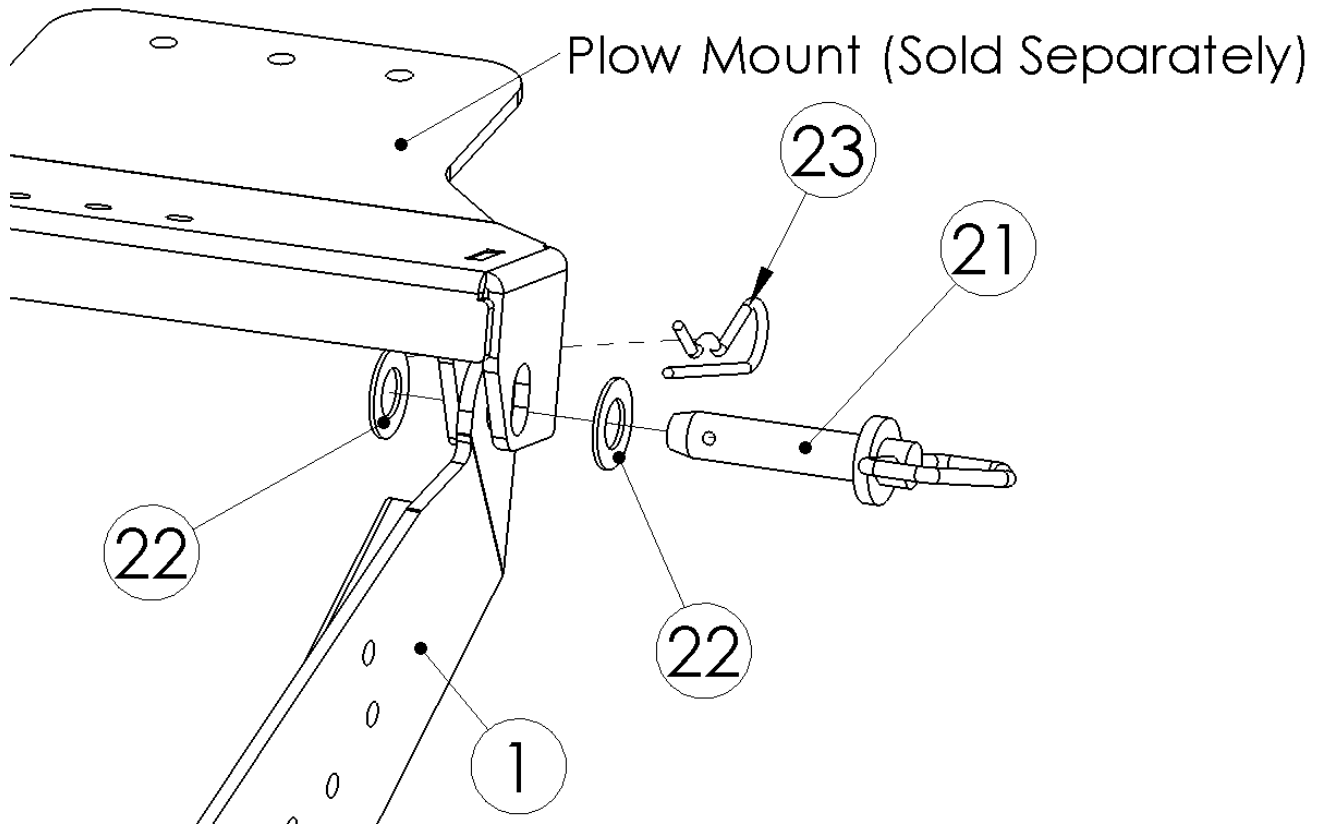


Figure 15



DENALI Professional Series Snow Plow Blade Installation

PLOW OPERATION TIPS

Raising and Lowering your Plow

Your plow requires a winch to raise and lower your blade. Simply install a winch and attach the clevis hook to the eye bolt in the center of your lift arm assembly. We suggest using our MotoAlliance Plow Strap, which is designed to spread the weight of the plow blade over a 2" surface area. This will greatly extend the life of your cable. We also recommend plowing with one of our VIPER ELITE series winches with automatic braking system to lock the plow in place.

Long Distance Travel

If you plan on driving ¼" mile or more without plowing, we suggest attaching the plow to your UTV frame with a bungee cord to minimize the bouncing action on the plow and preserve your UTV shock and spring system.

Warranty

Your MotoAlliance DENALI Push Tube has a **three-year warranty** against manufacturing defects.

Enjoy the plowing season.....you'll be the envy of your neighbors!